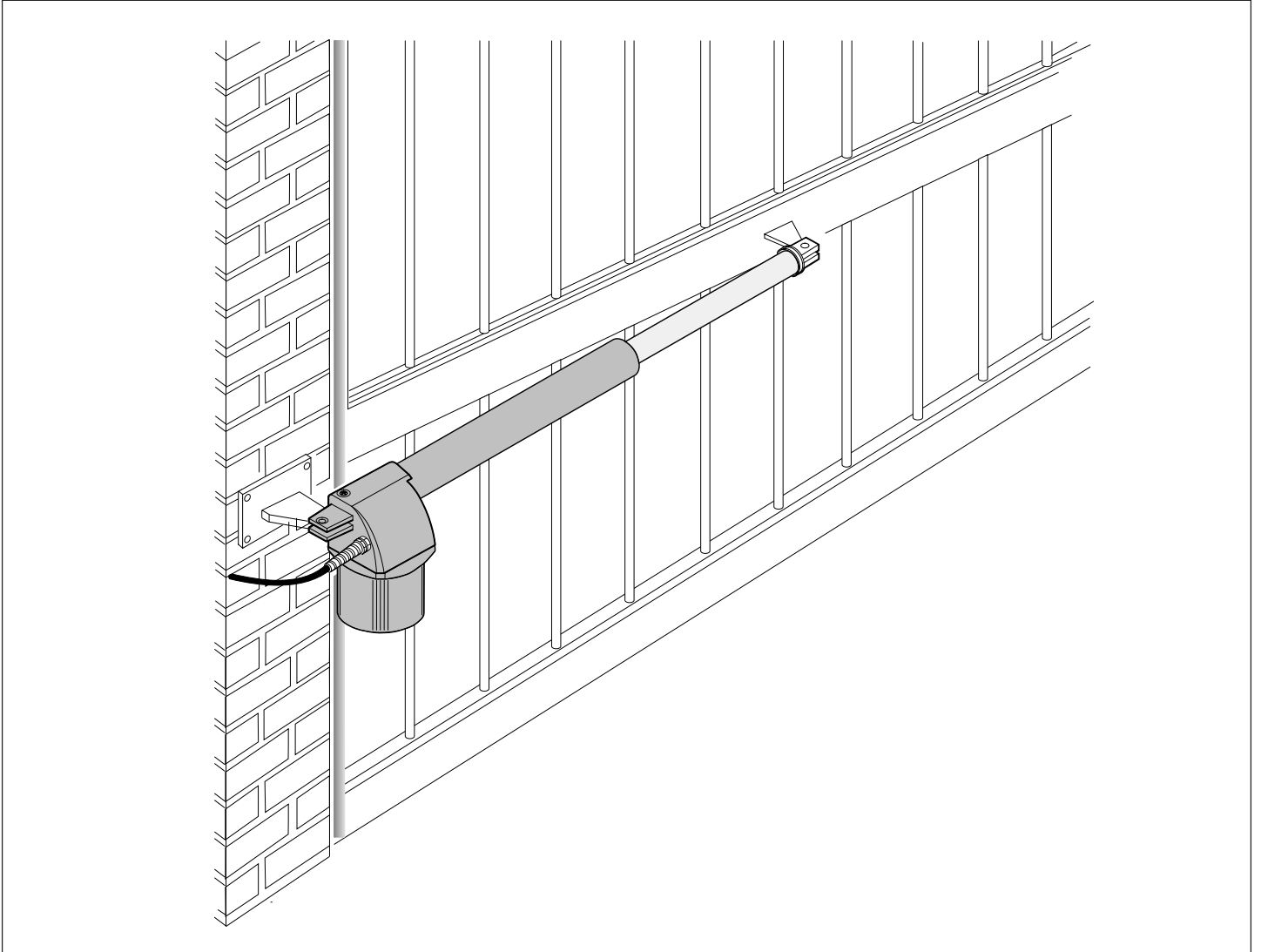


Euro Bat



GENIUS[®]

**COMPANY
WITH QUALITY SYSTEM
CERTIFIED BY DNV
=ISO 9001/2000=**

CE

AVVERTENZE PER L'INSTALLATORE

OBBLIGHI GENERALI PER LA SICUREZZA

- ATTENZIONE! È importante per la sicurezza delle persone seguire attentamente tutta l'istruzione. Una errata installazione o un errato uso del prodotto può portare a gravi danni alle persone.**
- Leggere attentamente le istruzioni prima di iniziare l'installazione del prodotto.
- I materiali dell'imballaggio (plastica, polistirolo, ecc.) non devono essere lasciati alla portata dei bambini in quanto potenziali fonti di pericolo.
- Conservare le istruzioni per riferimenti futuri.
- Questo prodotto è stato progettato e costruito esclusivamente per l'utilizzo indicato in questa documentazione. Qualsiasi altro utilizzo non espressamente indicato potrebbe pregiudicare l'integrità del prodotto e/o rappresentare fonte di pericolo.
- GENIUS declina qualsiasi responsabilità derivata dall'uso improprio o diverso da quello per cui l'automatismo è destinato.
- Non installare l'apparecchio in atmosfera esplosiva: la presenza di gas o fumi infiammabili costituisce un grave pericolo per la sicurezza.
- Gli elementi costruttivi meccanici devono essere in accordo con quanto stabilito dalle Norme EN 12604 e EN 12605.
Per i Paesi extra-CEE, oltre ai riferimenti normativi nazionali, per ottenere un livello di sicurezza adeguato, devono essere seguite le Norme sopra riportate.
- GENIUS non è responsabile dell'inosservanza della Buona Tecnica nella costruzione delle chiusure da motorizzare, nonché delle deformazioni che dovessero intervenire nell'utilizzo.
- L'installazione deve essere effettuata nell'osservanza delle Norme EN 12453 e EN 12445. Il livello di sicurezza dell'automazione deve essere C+E.
- Prima di effettuare qualsiasi intervento sull'impianto, togliere l'alimentazione elettrica.
- Prevedere sulla rete di alimentazione dell'automazione un interruttore onnipolare con distanza d'apertura dei contatti uguale o superiore a 3 mm. È consigliabile l'uso di un magnetotermico da 6A con interruzione onnipolare.
- Verificare che a monte dell'impianto vi sia un interruttore differenziale con soglia da 0,03 A.
- Verificare che l'impianto di terra sia realizzato a regola d'arte e collegarvi le parti metalliche della chiusura.
- L'automazione dispone di una sicurezza intrinseca antischiacciamento costituita da un controllo di coppia. E' comunque necessario verificarne la soglia di intervento secondo quanto previsto dalle Norme indicate al punto 10.
- I dispositivi di sicurezza (norma EN 12978) permettono di proteggere eventuali aree di pericolo da **Rischi meccanici di movimento**, come ad Es. schiacciamento, convogliamento, cesoiamento.
- Per ogni impianto è consigliato l'utilizzo di almeno una segnalazione luminosa nonché di un cartello di segnalazione fissato adeguatamente sulla struttura dell'infisso, oltre ai dispositivi citati al punto "16".
- GENIUS declina ogni responsabilità ai fini della sicurezza e del buon funzionamento dell'automazione, in caso vengano utilizzati componenti dell'impianto non di produzione GENIUS.
- Per la manutenzione utilizzare esclusivamente parti originali GENIUS.
- Non eseguire alcuna modifica sui componenti facenti parte del sistema d'automazione.
- L'installatore deve fornire tutte le informazioni relative al funzionamento manuale del sistema in caso di emergenza e consegnare all'Utente utilizzatore dell'impianto il libretto d'avvertenze allegato al prodotto.
- Non permettere ai bambini o persone di sostare nelle vicinanze del prodotto durante il funzionamento.
- Tenere fuori dalla portata dei bambini radiocomandi o qualsiasi altro datore di impulso, per evitare che l'automazione possa essere azionata involontariamente.
- Il transito tra le ante deve avvenire solo a cancello completamente aperto.
- L'Utente utilizzatore deve astenersi da qualsiasi tentativo di riparazione o d'intervento diretto e rivolgersi solo a personale qualificato.
- Tutto quello che non è previsto espressamente in queste istruzioni non è permesso**

IMPORTANT NOTICE FOR THE INSTALLER

GENERAL SAFETY REGULATIONS

- ATTENTION! To ensure the safety of people, it is important that you read all the following instructions. Incorrect installation or incorrect use of the product could cause serious harm to people.**
- Carefully read the instructions before beginning to install the product.
- Do not leave packing materials (plastic, polystyrene, etc.) within reach of children as such materials are potential sources of danger.
- Store these instructions for future reference.
- This product was designed and built strictly for the use indicated in this documentation. Any other use, not expressly indicated here, could compromise the good condition/operation of the product and/or be a source of danger.
- GENIUS declines all liability caused by improper use or use other than that for which the automated system was intended.
- Do not install the equipment in an explosive atmosphere: the presence of inflammable gas or fumes is a serious danger to safety.

- The mechanical parts must conform to the provisions of Standards EN 12604 and EN 12605.
For non-EU countries, to obtain an adequate level of safety, the Standards mentioned above must be observed, in addition to national legal regulations.
- GENIUS is not responsible for failure to observe Good Technique in the construction of the closing elements to be motorised, or for any deformation that may occur during use.
- The installation must conform to Standards EN 12453 and EN 12445. The safety level of the automated system must be C+E.
- Before attempting any job on the system, cut out electrical power.
- The mains power supply of the automated system must be fitted with an all-pole switch with contact opening distance of 3mm or greater. Use of a 6A thermal breaker with all-pole circuit break is recommended.
- Make sure that a differential switch with threshold of 0.03 A is fitted upstream of the system.
- Make sure that the earthing system is perfectly constructed, and connect metal parts of the means of the closure to it.
- The automated system is supplied with an intrinsic anti-crushing safety device consisting of a torque control. Nevertheless, its tripping threshold must be checked as specified in the Standards indicated at point 10.
- The safety devices (EN 12978 standard) protect any danger areas against **mechanical movement Risks**, such as crushing, dragging, and shearing.
- Use of at least one indicator-light is recommended for every system, as well as a warning sign adequately secured to the frame structure, in addition to the devices mentioned at point "16".
- GENIUS declines all liability as concerns safety and efficient operation of the automated system, if system components not produced by GENIUS are used.
- For maintenance, strictly use original parts by GENIUS.
- Do not in any way modify the components of the automated system.
- The installer shall supply all information concerning manual operation of the system in case of an emergency, and shall hand over to the user the warnings handbook supplied with the product.
- Do not allow children or adults to stay near the product while it is operating.
- Keep remote controls or other pulse generators away from children, to prevent the automated system from being activated involuntarily.
- Transit through the leaves is allowed only when the gate is fully open.
- The user must not attempt any kind of repair or direct action whatever and contact qualified personnel only.
- Anything not expressly specified in these instructions is not permitted.**

CONSIGNES POUR L'INSTALLATEUR

RÈGLES DE SÉCURITÉ

- ATTENTION! Il est important, pour la sécurité des personnes, de suivre à la lettre toutes les instructions. Une installation erronée ou un usage erroné du produit peut entraîner de graves conséquences pour les personnes.**
- Lire attentivement les instructions avant d'installer le produit.
- Les matériaux d'emballage (matière plastique, polystyrène, etc.) ne doivent pas être laissés à la portée des enfants car ils constituent des sources potentielles de danger.
- Conserver les instructions pour les références futures.
- Ce produit a été conçu et construit exclusivement pour l'usage indiqué dans cette documentation. Toute autre utilisation non expressément indiquée pourrait compromettre l'intégrité du produit et/ou représenter une source de danger.
- GENIUS décline toute responsabilité qui dériverait d'usage improprie ou différent de celui auquel l'automatisme est destiné.
- Ne pas installer l'appareil dans une atmosphère explosive: la présence de gaz ou de fumées inflammables constitue un grave danger pour la sécurité.
- Les composants mécaniques doivent répondre aux prescriptions des Normes EN 12604 et EN 12605.
Pour les Pays extra-CEE, l'obtention d'un niveau de sécurité approprié exige non seulement le respect des normes nationales, mais également le respect des Normes susmentionnées.
- GENIUS n'est pas responsable du non-respect de la Bonne Technique dans la construction des fermetures à motoriser, ni des déformations qui pourraient intervenir lors de l'utilisation.
- L'installation doit être effectuée conformément aux Normes EN 12453 et EN 12445. Le niveau de sécurité de l'automatisme doit être C+E.
- Couper l'alimentation électrique avant toute intervention sur l'installation.
- Prévoir, sur le secteur d'alimentation de l'automatisme, un interrupteur onnipolaire avec une distance d'ouverture des contacts égale ou supérieure à 3 mm. On recommande d'utiliser un magnétothermique de 6A avec interruption onnipolaire.
- Vérifier qu'il y ait, en amont de l'installation, un interrupteur différentiel avec un seuil de 0,03 A.
- Vérifier que la mise à terre est réalisée selon les règles de l'art et y connecter les pièces métalliques de la fermeture.
- L'automatisme dispose d'une sécurité intrinsèque anti-écrasement, formée d'un contrôle du couple. Il est toutefois nécessaire d'en vérifier le seuil d'intervention suivant les prescriptions des Normes indiquées au point 10.
- Les dispositifs de sécurité (norme EN 12978) permettent de protéger des zones éventuellement dangereuses contre les **Risques mécaniques du mouvement**, comme l'écrasement, l'acheminement, le cisaillement.

EURO BAT AUTOMATION

The EURO BAT automation system for swing gates comprises an electromechanical operator which drives the gate leaves by means of a worm screw.

The EURO BAT operator is irreversible and locks mechanically when the motor is not in use. Therefore a lock does not need to be fitted.

The EURO BAT automated systems were designed and manufactured to control access of vehicles. Avoid any other use whatever.

1. DESCRIPTION AND TECHNICAL SPECIFICATIONS

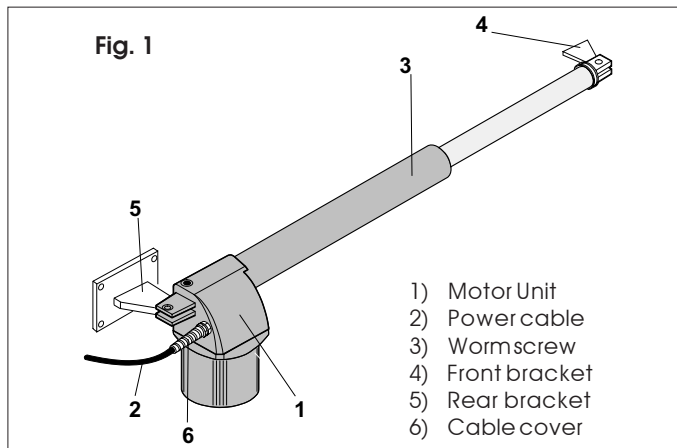
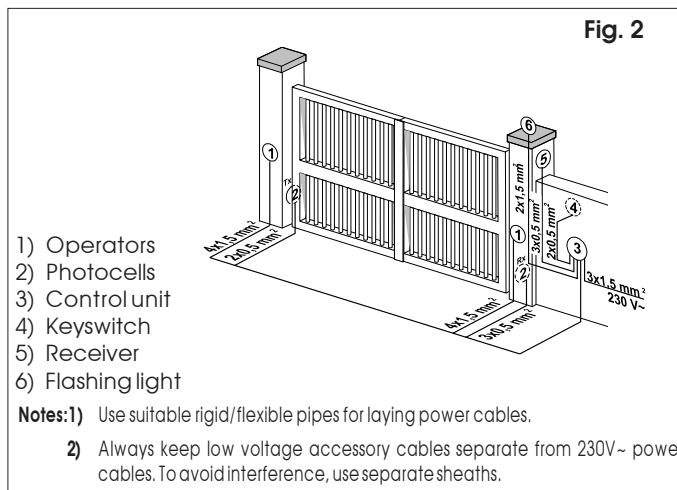


Table 1: Operator technical specifications

Model	Euro Bat	Euro Bat 24V	Euro Bat Lento	Euro Bat 115V
Power supply	230V 50Hz	24Vdc	230V 50Hz	115V/ 60Hz
Absorbed power	280W	70W	280W	350W
Current drawn	1.2A	3A	1.2A	3A
Thermal cutout	140°C		140°C	140°C
Capacitor	8µF 400V		8µF 400V	25µF 250V
Max. thrust/traction force.	350 daN	300 daN	350 daN	
Rod stroke	300 mm / 400 mm			
Rod speed	1.6 cm/sec		1.1 cm/sec	1.85 cm/sec
Temperature range	+20°C +55°C			
Operator weight	6.5 Kg			
Housing protection	IP 44			
Duty cycle (cycles/hour)	20	50	20	30
Maximum leaf length	3 m / 4 m			

2. STANDARD INSTALLATION LAYOUT



- 1) Operators
- 2) Photocells
- 3) Control unit
- 4) Keyswitch
- 5) Receiver
- 6) Flashing light

Notes: 1) Use suitable rigid/flexible pipes for laying power cables.
 2) Always keep low voltage accessory cables separate from 230V - power cables. To avoid interference, use separate sheaths.

Drawing A INSTALLATION DIMENSIONS

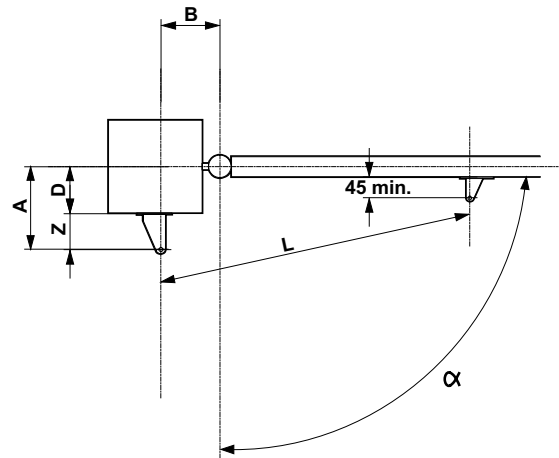


Fig. A

Table A: Recommended dimensions (in mm)

Model	α	A	B	C (¹)	D (²)	Z (³)	L
300	90°	145	145	290	100	45	895
	110°	125	125	290	80	45	895
400	90°	195	195	390	150	45	1090
	110°	165	165	390	120	45	1090

(¹) useful rod stroke (²) max. dimension (³) min. dimension

CALCULATING INSTALLATION DIMENSIONS: GENERAL RULES

If the dimensions specified in Table A cannot be used, calculate different dimensions as follows:

- For 90° leaf opening: $a + b = c$
- For leaf opening over 90°: $a + b < c$
- The lower the dimensions of a and b the higher the gate speed. Ensure that current standards are observed.
- Make sure that the difference between a and b is no more than 4 cm: larger differences cause large variations in speed during opening and closing.
- Due to the dimensions of the operator, the minimum value for Z is 45 mm (fig. A)

If the dimensions of the gate post or the position of the hinge do not allow a to be kept within the required value, make a recess in the gate post as shown in fig. B.

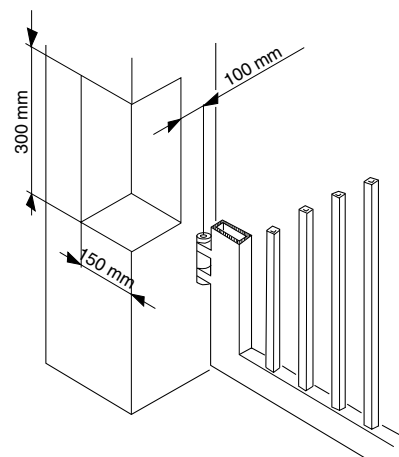


Fig. B

3. INSTALLATION OF THE AUTOMATION SYSTEM

3.1. PRELIMINARY CHECKS

To ensure trouble-free operation, make sure that the gate (whether existing or to be installed) has the following specifications:

- max. length of each gate leaf: 3 metres (with operator with 300 mm stroke);
- maximum length of each gate leaf: 4 metres (with operator with 400 mm stroke);
- strong and rigid leaf frame
- smooth movement of leaves during entire travel; no stiff points
- hinges in good condition
- mechanical travel limit stops present
- electric lock present in reversible version.

If any welding or brazing has to be done on the gate, this must be done before installing the automation system.

Good condition of the structure is essential for reliability and safety of the automation system.

3.2. INSTALLATION OF THE OPERATORS

- 1) Fix the rear bracket to the gate post according to the instructions in **Table A**. Adjust the length of the bracket if necessary.

Warning: Observe the specified dimensions to ensure correct operator operation.

In the case of iron gate posts, weld the bracket directly onto the gate post.

In the case of brick/concrete gate posts, flush-mount a wall plate (fig. 3), and weld the bracket to the plate.

- 2) Fix the operator to the rear bracket by means of the screws supplied (fig. 3).

Caution: the operators supplied in the kit are right and left hand versions.

For correct installation the operator must be positioned as shown in fig. 3.

The right hand operator is the one mounted on the right leaf as viewed from inside; the left hand operator is the one mounted on the left leaf, again as viewed from inside.

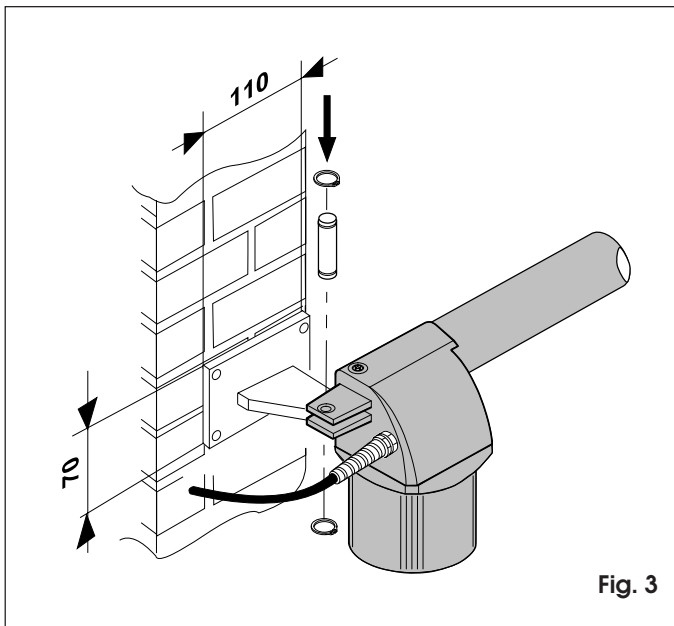


Fig. 3

- 3) Release the operator (see paragraph 6).
- 4) Extend the rod to the end of its stroke (fig. 4).
- 5) Lock the operator (see paragraph 7).
- 6) Rotate the operator stem half/one turn clockwise (fig. 4).

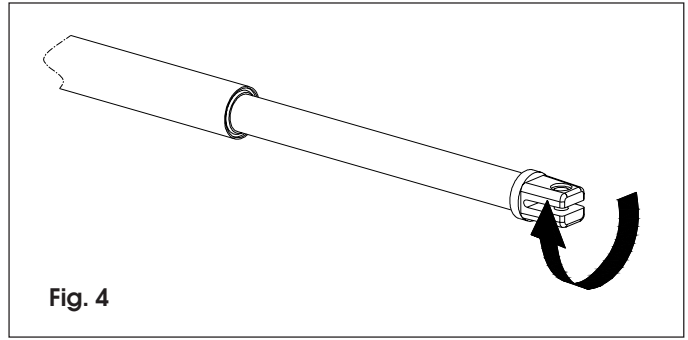


Fig. 4

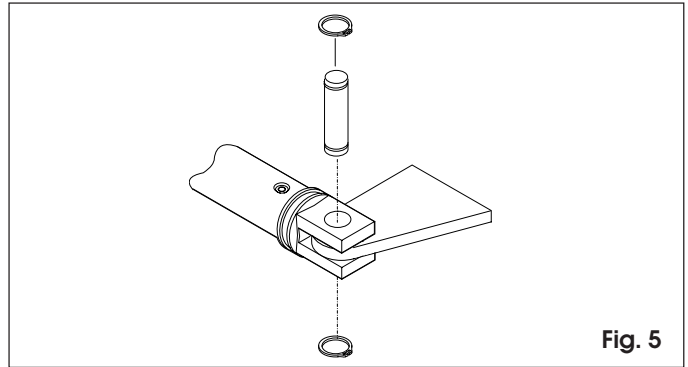


Fig. 5

- 7) Fit the front bracket onto the rod as shown in fig. 5.
- 8) Close the gate leaf and, keeping the operator perfectly horizontal, locate the leaf attachment position on the front bracket (fig. 6).

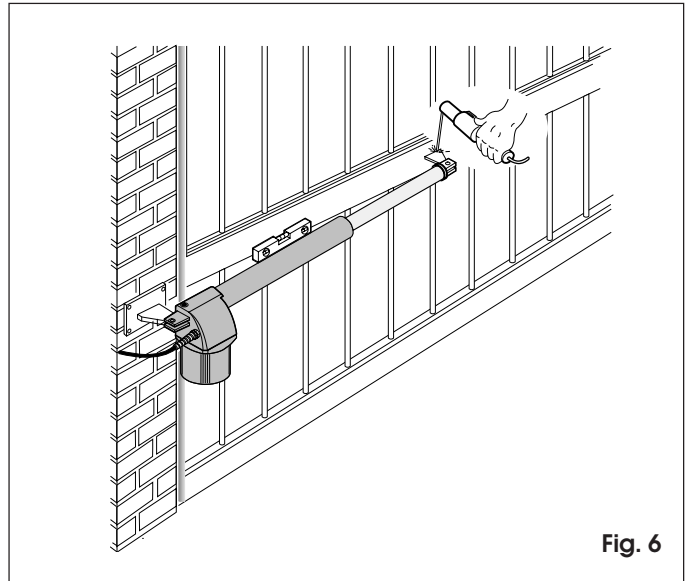


Fig. 6

- 9) Fix the front bracket temporarily to the leaf by two welds. **N.B.:** If the gate frame does not allow for secure fixing of the bracket, add a support plate.
- 10) Release the operator and ensure that the gate opens smoothly with no stiff points and that it stops on the mechanical travel stops.
- 11) Completely weld the front bracket to the leaf. When doing this, detach the operator temporarily from the bracket to prevent damage from welding scale. **N.B.:**
 - 1) Grease all pivots on brackets
 - 2) If welding is not possible, the front and rear bracket plates can be fixed using screws and screw anchors.

- 12) Repeat the above operations to install the second operator, if required.
- 13) Install the control unit box according to the dimensions given in the relevant instructions.

4. STARTING THE AUTOMATED UNIT

CAUTION: Before attempting any work on the system or on the operator, always turn off power.

Observe points 10, 11, 12, 13, 14 of the GENERAL SAFETY OBLIGATIONS.

Observing the instructions in Fig.2, lay the raceways and make the electric connections of the control board to the selected accessories.

Always separate power cables from control and safety cables (push-button, receiver, photocells, etc...). To prevent any electric noise whatever, use separate sheaths.

- 1) Program the control board according to your needs observing the concerning instructions.
- 2) Switch on power to the system and check the condition of the LEDs according to the table of the control board instructions.

5. TESTING THE AUTOMATED UNIT

Carefully check operation of the operator and all accessories connected to it.

Give the customer the page entitled "End-User Guide". Describe how the operator works and explain how it is to be used correctly. Inform the customer of the potential hazard areas of the automation.

6. MANUAL OPERATION

In the irreversible version, the gate can be operated manually in the event of a power failure or malfunction by removing the plug and inserting the special release key as shown in fig. 7.

To release the operator, turn the key in the leaf closing direction (fig. 7).

Open or close the leaves manually.

7. RETURNING TO NORMAL OPERATION

Turn off the electricity supply to the system before re-locking the operators to avoid all risk of starting them accidentally.

To re-lock the operator, turn the key in the leaf opening direction (fig. 7).

8. SPECIAL APPLICATIONS

There are no special applications.

9. MAINTENANCE

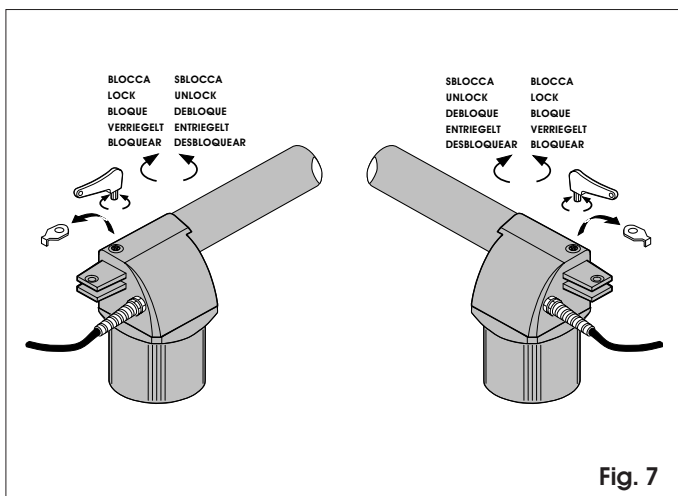
Carry out periodic checks of the gate structure and ensure in particular that the hinges are in perfect working condition.

Check periodically that the electronic anti-crushing system is adjusted correctly and that the release mechanism for manual movement is fully operative (see relevant paragraph).

Safety devices installed on the system must be checked every six months.

10.REPAIRS

For repairs, contact authorised service centres.



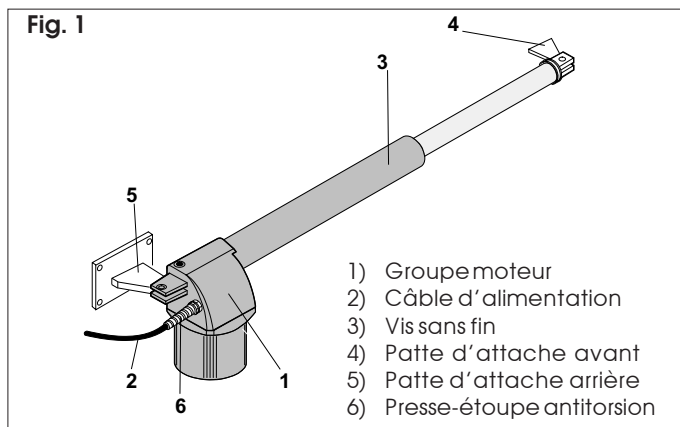
AUTOMatismES EURO BAT

L'automatisme EURO BAT pour portails battants est constitué de deux opérateurs électromécanique qui transmettent le mouvement au vantail par un système à vis sans fin.

L'opérateur EURO BAT est irréversible et garantit le verrouillage mécanique du portail lorsque le moteur est arrêté ne nécessitant pas l'installation d'une serrure.

Les automatismes EURO BAT ont été conçus et construits pour contrôler l'accès véhiculaire. Eviter toute autre utilisation.

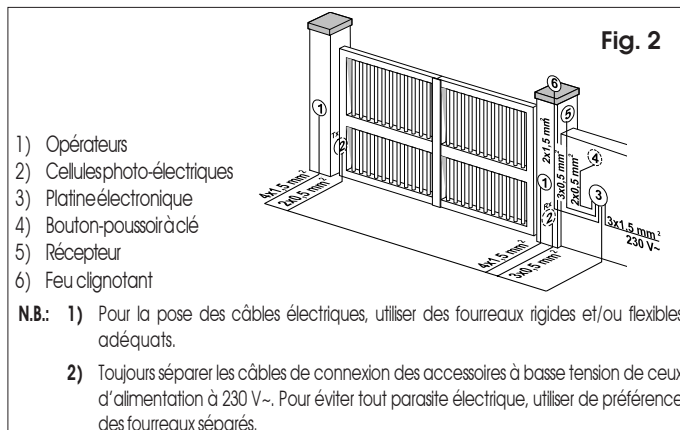
1. DESCRIPTION ET SPÉCIFICATIONS TECHNIQUES



Tabl. 1 Caractéristiques techniques opérateurs

Modèle	Euro Bat	Euro Bat 24V	Euro Bat Lento	Euro Bat 115V
Alimentation	230V 50Hz	24Vdc	230V 50Hz	115V/ 60Hz
Puissance absorbée	280W	70W	280W	350W
Courant absorbé	1.2A	3A	1.2A	3A
Moteur électrique	1400		900	1400
Intervention thermique sur l'enroulement moteur	140°C		140°C	140°C
Condensateur de démarrage	8µF 400V		8µF 400V	25µF 250V
Force de traction/poussée max	350 daN	300 daN		350 daN
Course de la tige	300 mm / 400 mm			
Vitesse linéaire de la tige	1.6 cm/sec		1.1 cm/sec	1.6 cm/sec
Température ambiante	+20°C +55°C			
Poids opérateur	6.5 Kg			
Degré de protection	IP 44			
Fréquence d'utilisation	20	50	20	30
Longueur maxi vantail	3 m / 4 m			

2. PRÉCÂBLAGE (installation standard)



Tav. A COTES D'INSTALLATION

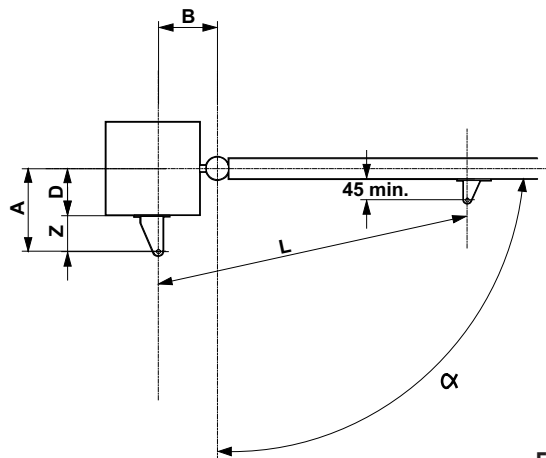


Tableau A: Cotes préconisées (in mm.)

Modèle	α	A	B	C (¹)	D (²)	Z (³)	L
300	90°	145	145	290	100	45	895
	110°	125	125	290	80	45	895
400	90°	195	195	390	150	45	1090
	110°	165	165	390	120	45	1090

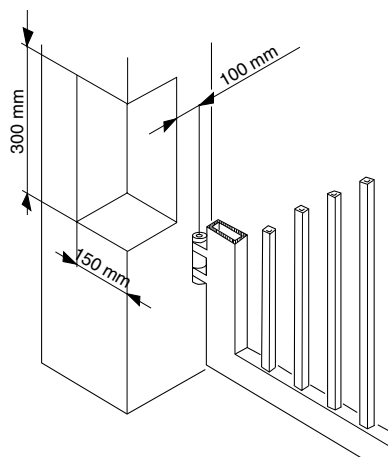
(¹) course utile de la tige (²) cote maximum (³) quota min.

DÉTERMINATION DES COTES D'INSTALLATION

Dans l'impossibilité de respecter les cotes indiquées dans le tableau A, tenir compte des renseignements ci-après pour l'établissement d'autres cotes:

- pour obtenir une ouverture du portail à 90°: $a + b = c$
- pour obtenir une ouverture du portail supérieure à 90°: $a + b < c$
- toutes cotes a et b inférieures comportent une vitesse de translation du portail plus élevée. Toujours se conformer aux normes en vigueur.
- Ne pas dépasser les cotes a et b de plus de 4 cm: le non-respect de cette tolérance entraîne des variations notables de la vitesse pendant le mouvement d'ouverture et de fermeture du portail.
- Pour un motif d'encombrement de l'opérateur, la cote Z minimum est de 45 mm (fig. A).

Dans le cas où les dimensions du pilier ou la position du gond ne permettent pas d'avoir la cote a dans la mesure voulue, il faut impérativement réaliser une niche sur le pilier comme indiqué fig. B.



3. INSTALLATION DE L'AUTOMATISME

3.1. VÉRIFICATIONS PRÉLIMINAIRES

Pour un fonctionnement correct de l'automatisme, la structure du portail, existante ou à réaliser, doit présenter les caractéristiques suivantes:

- vantail jusqu'à 3 mètres de longueur (avec un opérateur ayant une course de 300 mm);
- vantail jusqu'à 4 mètres de longueur (avec un opérateur ayant une course de 400 mm);
- structure du vantail robuste et rigide;
- mouvement de translation régulier et uniforme du vantail, exempt de frottements irréguliers pendant toute la course;
- bon état des gonds existants;
- présence de butées mécaniques de fin de course;
- présence d'une électroserrure pour la version réversible.

Il est recommandé d'effectuer les éventuels travaux de serrurerie avant d'installer l'automatisme.

Il faut rappeler que l'état de la structure influe directement sur la fiabilité et la sécurité de l'automatisme.

3.2. INSTALLATION DES OPÉRATEURS

- 1) Fixer la patte d'attache arrière sur le pilier en suivant les indications du tableau **A**. Modifier, si nécessaire, la longueur de la patte d'attache fournie.

Attention: Pour ne pas compromettre le bon fonctionnement de l'opérateur, il est recommandé de toujours respecter les cotes indiquées.

Dans le cas de pilier en fer, souder directement la patte d'attache sur le pilier.

Dans le cas de pilier en maçonnerie, prévoir d'abord la pose d'une plaque d'ancrage sur le pilier (fig. 3), puis souder la patte d'attache sur la plaque.

- 2) Fixer l'opérateur à la patte d'attache arrière au moyen des vis fournies (fig. 3).

Attention: Les opérateurs fournis dans le kit sont en version droit et gauche. Pour une installation correcte, l'opérateur doit être positionné comme indiqué fig. 3. Par opérateur droit, on désigne l'opérateur monté sur le vantail droit vu de l'intérieur; par opérateur gauche, on désigne l'opérateur monté sur le vantail gauche toujours vu de l'intérieur.

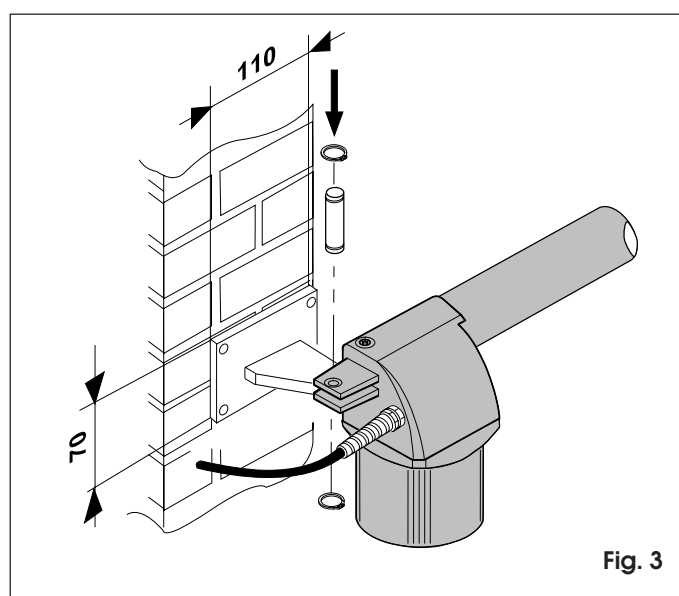


Fig. 3

- 3) Débloquer l'opérateur (voir § 6).
- 4) Sortir complètement la tige jusqu'en butée (fig. 4).
- 5) Rebloquer l'opérateur (voir § 7).
- 6) Tourner la tige de l'opérateur d'un demi/un tour en sens horaire (fig. 4).

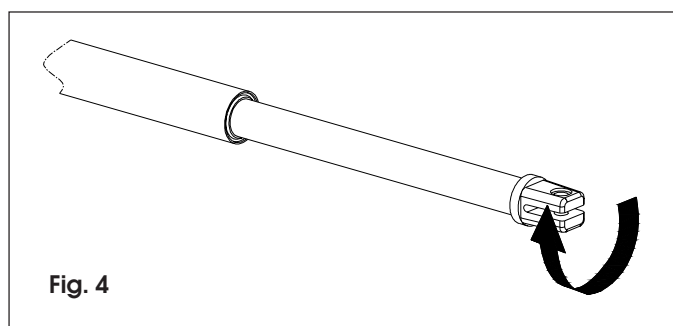


Fig. 4

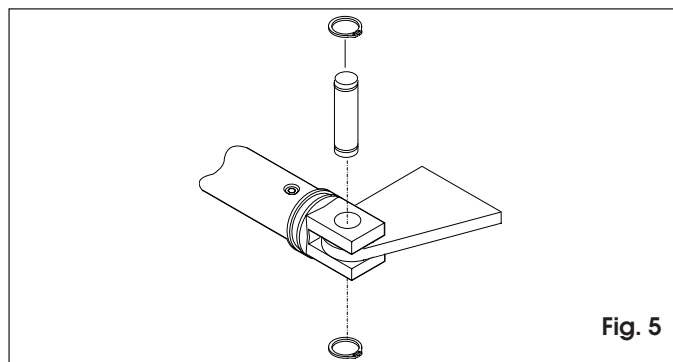


Fig. 5

- 7) Monter la patte d'attache avant sur la tige comme indiqué fig. 5.
- 8) Fermer le vantail et, tout en maintenant l'opérateur parfaitement horizontal, tracer sur le vantail l'emplacement de la patte d'attache avant (fig. 6).

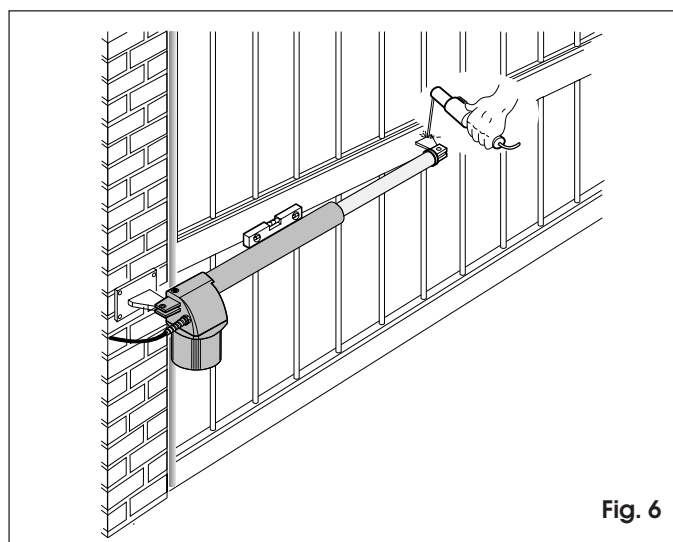


Fig. 6

- 9) Fixer provisoirement la patte d'attache avant sur le vantail par deux points de soudure.
N.B.: Dans le cas où la structure du portail ne permet pas une fixation solide de la patte d'attache, il faut impérativement prévoir un support solide sur la structure.
- 10) Débloquer l'opérateur et vérifier manuellement que l'ouverture du portail n'est pas entravée par un obstacle de quelconque nature et que le mouvement du vantail est régulier et exempt de frottements.
- 11) Souder définitivement la patte d'attache avant sur le vantail. Pour effectuer cette opération, dégager momentanément l'opérateur de la patte d'attache pour éviter de l'endommager par des projections de soudure.

Remarques:

- (1) Il est recommandé de graisser tous les axes des pattes d'attache.
- (2) Dans l'impossibilité de souder, les plaques des pattes d'attache avant et arrière peuvent être fixées au moyen de vis et tasseaux.

ENGLISH

Read the end-user guide carefully before using the product and keep it in a safe place for future reference.

GENERAL SAFETY REGULATIONS

When correctly installed and used, the EURO BAT automation system ensures a high degree of safety.

A few simple rules should be followed to prevent accidental problems.

- Do not pass through the gate while the leaves are still moving; always wait until they have opened completely.
- Do not stand between the leaves.
- Do not stand near the automation system; do not allow children or adults to stand near it; and do not leave objects near it.
- Keep control devices or other devices that might accidentally activate the automation system out of the reach of children.
- Do not allow children to play with the automation system.
- Do not obstruct movement of the leaves.
- Do not allow branches or bushes to obstruct movement of the leaves.
- Ensure that the warning lamps are in always in working order and visible.
- Do not attempt to actuate the leaves manually unless you have first unlocked them.
- In case of a malfunction, unlock the leaves to allow vehicles to pass through, and call a qualified technician.
- If you have set manual mode, disconnect the power supply before restoring normal operation.
- Do not modify the components of the automation system.
- Do not attempt to repair the automation system or to perform any operation on it. Call qualified technicians only.
- At least once every 6 months, have qualified personnel check that the automation system, safety devices and earth connection are in working order.

DESCRIPTION

The EURO BAT automation consists of two electromechanical operators which are ideal for controlling swinging gates with leaves up to 3 m long each with operators with a 300mm stroke, and up to 4 m long each with operators with stroke up to 400 mm.

The two electromechanical operators transmit movement to the leaves by a worm screw system.

The operators are controlled by an electronic control unit mounted in an enclosure which assures adequate protection against atmospheric agents.

Together with the installation technician, decide on the type of operation you want to set for your gate.

The leaves are normally closed. When the electronic control unit receives an open command from the remote radio control or any other control device, it activates the electromechanical system and causes the leaves to turn to the open position so as to permit access.

For detailed information on the operation of the automation system in the various operating modes, contact the installation technician.

The automation system is equipped with a photocell safety device which prevents the leaves from closing when the photocells are darkened by an obstacle.

The EURO BAT automation system is also equipped with an anti-crushing safety device (fitted as standard) that limits the torque transmitted to the leaves.

The EURO BAT operators ensure that the system is mechanically locked when the motor is not running, so there is no need to install a lock.

The leaves can be opened manually only by operating the unlocking device.

The lamp flashes while the leaves are moving.

MANUAL OPERATION

In automation systems fitted with the EURO BAT operator, if the gate has to be operated manually due to a malfunction or power supply failure, remove the safety cap and insert the key provided into the release system as shown in fig. 1.

To release the operator, turn the key in the leaf closure direction (fig. 1).

Open or close the leaf manually.

RETURNING TO NORMAL OPERATION

Turn off the electricity supply to the system before re-locking the operators to avoid all risk of them starting accidentally during this operation.

To re-lock the operator, turn the key in the leaf opening direction (fig. 1).

FRANÇAIS






Lire attentivement les instructions avant d'utiliser le produit et conserver la notice d'instructions pour toute consultation ultérieure.

RÈGLES DE SÉCURITÉ

L'automatisme EURO BAT, si correctement installé et utilisé, garantit un haut degré de sécurité.

L'observation des simples règles de comportement suivantes permettra d'éviter de fâcheux inconvénients:

- Ne pas s'engager portail en mouvement. Il faut toujours attendre l'ouverture complète du portail avant de s'engager.
- Ne pas stationner entre les vantaux.
- Ne pas stationner et empêcher quiconque de stationner à proximité de l'automatisme, notamment pendant son fonctionnement.
- Tenir à l'écart des enfants toutes radiocommandes ou n'importe quel autre générateur d'impulsions, afin d'éviter toute manœuvre accidentelle de l'automatisme.
- Empêcher les enfants de jouer avec l'automatisme.
- Ne pas arrêter volontairement le mouvement du portail.
- Éviter que toutes branches ou tous arbustes puissent entraver le mouvement du portail
- Toujours conserver efficaces et bien visibles les systèmes de signalisation lumineuse.
- Ne pas tenter d'actionner manuellement le portail si ce n'est qu'après son déverrouillage.
- En cas de mauvais fonctionnement, déverrouiller le portail pour permettre le passage et attendre l'intervention d'un technicien spécialisé.
- Avant de rétablir le fonctionnement normal du système, après que le portail ait été déverrouillé pour être actionné manuellement, il faut couper l'alimentation en énergie électrique au système.
- Ne pas procéder à des modifications des composants du système.

DICHIARAZIONE CE DI CONFORMITÀ PER MACCHINE (DIRETTIVA 89/392 CEE, ALLEGATO II, PARTE B)	EC MACHINE DIRECTIVE COMPLIANCE DECLARATION (DIRECTIVE 89/392 EEC, APPENDIX II, PART B)	DÉCLARATION CE DE CONFORMITÉ (DIRECTIVE EUROPÉENNE "MACHINES" 89/392/CEE, ANNEXE II, PARTIE B)
<p>Fabricante: GENIUS s.r.l. Inirizzo: Via Padre Elzi, 32 24050 - Grassobbio BERGAMO - ITALIA</p> <p>Dichiara che: L'Attuatore mod. EURO BAT</p> <ul style="list-style-type: none"> è costruito per essere incorporato in una macchina o per essere assemblato con altri macchinari per costituire una macchina ai sensi della Direttiva 89/392 CEE, e successive modifiche 91/368/CEE, 93/44/CEE, 93/68/CEE; è conforme ai requisiti essenziali di sicurezza delle seguenti altre direttive CEE: 73/23 CEE e successiva modifica 93/68/CEE, 89/336 CEE e successiva modifica 92/31 CEE e 93/68/CEE <p>e inoltre dichiara che <u>non è consentito mettere in servizio il macchinario</u> fino a che la macchina in cui sarà incorporata o di cui diverrà componente sia stata identificata e ne sia stata dichiarata la conformità alle condizioni della Direttiva 89/392/CEE e successive modifiche trasposta nella legislazione nazionale dal DPR n° 459 del 24 Luglio 1996.</p> <p>Grassobbio, 1 Marzo 2002</p> <p>L'Amministratore Delegato D. Gianantoni</p> 	<p>Manufacturer: GENIUS s.r.l. Address: Via Padre Elzi, 32 24050 - Grassobbio BERGAMO - ITALY</p> <p>Hereby declares that: the EURO BAT</p> <ul style="list-style-type: none"> is intended to be incorporated into machinery, or to be assembled with other machinery to constitute machinery in compliance with the requirements of Directive 89/392 EEC, and subsequent amendments 91/368 EEC, 93/44 EEC and 93/68 EEC; complies with the essential safety requirements in the following EEC Directives: 73/23 EEC and subsequent amendment 93/68 EEC, 89/336 EEC and subsequent amendments 92/31 EEC and 93/68 EEC. <p>and furthermore declares that <u>unit must not be put into service</u> until the machinery into which it is incorporated or of which it is a component has been identified and declared to be in conformity with the provisions of Directive 89/392 EEC and subsequent amendments enacted by the national implementing legislation.</p> <p>Grassobbio, 1 March 2002</p> <p>Managing Director D. Gianantoni</p> 	<p>Fabricant: GENIUS s.r.l. Adresse: Via Padre Elzi, 32 24050 - Grassobbio BERGAMO - ITALIA</p> <p>Déclare d'une part que l'automatisme mod. EURO BAT</p> <ul style="list-style-type: none"> est prévue soit pour être incorporée dans une machine, soit pour être assemblée avec d'autres composants ou parties en vue de former une machine selon la directive européenne "machines" 89/392 CEE, modifiée 91/368 CEE, 93/44 CEE, 93/68 CEE. satisfait les exigences essentielles de sécurité des directives CEE suivantes: 73/23 CEE, modifiée 93/68 CEE, 89/336 CEE, modifiée 92/31 CEE et 93/68 CEE. <p>et d'autre part qu'il est formellement interdit de mettre en fonction l'automatisme en question avant que la machine dans laquelle il sera intégrée ou dont il constituera un composant ait été identifiée et déclarée conforme aux exigences essentielles de la directive européenne "machines" 89/392/CEE, et décrets de transposition de la directive.</p> <p>Grassobbio, le 1 Mars 2002</p> <p>L'Administrateur Délégué D. Gianantoni</p> 
<p>DECLARACIÓN DE CONFORMIDAD CE PARA MÁQUINAS (DIRECTIVA 89/392 CEE, ANEXO II, PARTE B)</p> <p>Fabricante: GENIUS s.r.l. Dirección: Via Padre Elzi, 32 24050 - Grassobbio BERGAMO - ITALIA</p> <p>Declara que: El equipo automático mod. EURO BAT</p> <ul style="list-style-type: none"> Ha sido construido para ser incorporado en una máquina, o para ser ensamblado con otros mecanismos a fin de constituir una máquina con arreglo a la Directiva 89/392 CEE y a sus sucesivas modificaciones 91/368 CEE, 93/44 CEE y 93/68 CEE. Cumple los requisitos esenciales de seguridad establecidos por las siguientes directivas CEE: 73/23 CEE y sucesiva modificación 93/68 CEE, 89/336 CEE y sucesivas modificaciones 92/31 CEE y 93/68 CEE. <p>Asimismo, declara que <u>no está permitido poner en marcha</u> el equipo si la máquina en la cual será incorporado, o de la cual se convertirá en un componente, no ha sido identificada o no ha sido declarada su conformidad a lo establecido por la Directiva 89/392 CEE y sus sucesivas modificaciones, y a la ley que la incorpora en la legislación nacional.</p> <p>Grassobbio, 1º de Marzo de 2002.</p> <p>Administrador Delegado D. Gianantoni</p> 	<p>EG-KONFORMITÄTSERKLÄRUNG ZU MASCHINEN (gemäß EG-Richtlinie 89/392/EWG, Anhang II, Teil B)</p> <p>Hersteller: GENIUS s.r.l. Adresse: Via Padre Elzi, 32 24050 - Grassobbio BERGAMO - ITALIEN</p> <p>erklärt hiermit, daß: der Antrieb Mod. EURO BAT</p> <ul style="list-style-type: none"> zum Einbau in eine Maschine oder mit anderen Maschinen zu einer Maschine im Sinne der Richtlinie 89/392 EWG und deren Änderungen 91/368 EWG, 93/44 EWG, 93/68 EWG vorgesehen ist. den wesentlichen Sicherheitsbestimmungen folgender anderer EG-Richtlinien entspricht: 73/23 EWG und nachträgliche Änderung 93/68 EWG 89/336 EWG und nachträgliche Änderung 92/31 EWG sowie 93/68 EWG <p>und erklärt außerdem, daß die <u>Inbetriebnahme solange untersagt ist</u>, bis die Maschine, in welche diese Maschine eingebaut wird oder von der sie ein Bestandteil ist, den Bestimmungen der Richtlinie 89/392 EWG sowie deren nachträglichen Änderungen entspricht.</p> <p>Grassobbio, 1 März 2002</p> <p>Der Geschäftsführer D. Gianantoni</p> 	<p>Le descrizioni e le illustrazioni del presente manuale non sono impegnative. GENIUS si riserva il diritto, lasciando inalterate le caratteristiche essenziali dell'apparecchiatura, di apportare in qualunque momento e senza impegnarsi ad aggiornare la presente pubblicazione, le modifiche che essa ritiene convenienti per miglioramenti tecnici o per qualsiasi altra esigenza di carattere costruttivo o commerciale.</p> <p>The descriptions and illustrations contained in the present manual are not binding. GENIUS reserves the right, whilst leaving the main features of the equipments unaltered, to undertake any modifications to holds necessary for either technical or commercial reasons, at any time and without revising the present publication.</p> <p>Les descriptions et les illustrations du présent manuel sont fournies à titre indicatif. GENIUS se réserve le droit d'apporter à tout moment les modifications qu'elle jugera utiles sur ce produit tout en conservant les caractéristiques essentielles, sans devoir pour autant mettre à jour cette publication.</p> <p>Las descripciones y las ilustraciones de este manual no comportan compromiso alguno. GENIUS se reserva el derecho, dejando inmutadas las características esenciales de los aparatos, de aportar, en cualquier momento y sin comprometerse a poner a día la presente publicación, todas las modificaciones que considere oportunas para el perfeccionamiento técnico o para cualquier otro tipo de exigencia de carácter constructivo o comercial.</p> <p>Die Beschreibungen und Abbildungen in vorliegendem Handbuch sind unverbindlich. GENIUS behält sich das Recht vor, ohne die wesentlichen Eigenschaften dieses Gerätes zu verändern und ohne Verbindlichkeiten in Bezug auf die Neufassung der vorliegenden Anleitungen, technisch bzw. konstruktiv / kommerziell bedingte Verbesserungen vorzunehmen.</p>

GENIUS®

GENIUS s.r.l.
Via Padre Elzi, 32
24050 - Grassobbio
BERGAMO-ITALY
tel. 0039.035.4242511
fax. 0039.035.4242600
info@geniusg.com
www.geniusg.com

Timbro rivenditore: / Distributor's stamp: / Timbre de l'agent: /
Sello del revendedor: / Fachhändlerstempel:

